

VEN tac
G R O U P



Drum Jet diffusers

VEN tac
air management

VEN tac
noise control

VEN tac
laboratories

Drum Jet Diffusers

WDJ

Introduction

The Waterloo WDJ Drum Jet diffuser is a high capacity unit specifically designed for warehouses, sports halls or factory units etc where a long throw is required. The WDJ is fully adjustable to provide a full jet spread and directional control.

The unit is constructed from aluminium extrusions and comes complete with brush strips to provide a low friction, airtight seal. Standard installation is screw fixing through the face flange.

Product Description

WDJ Drum Jet Diffuser
OBSS Opposed blade damper

Features

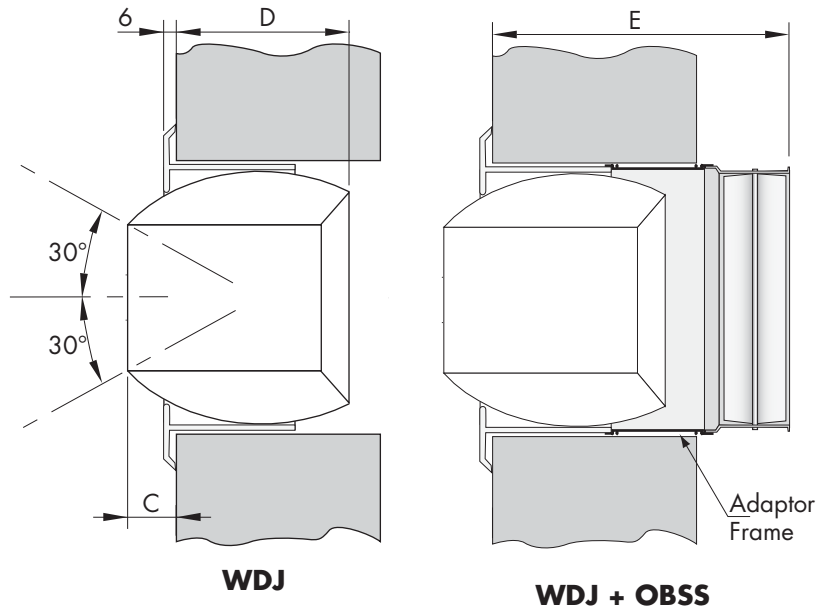
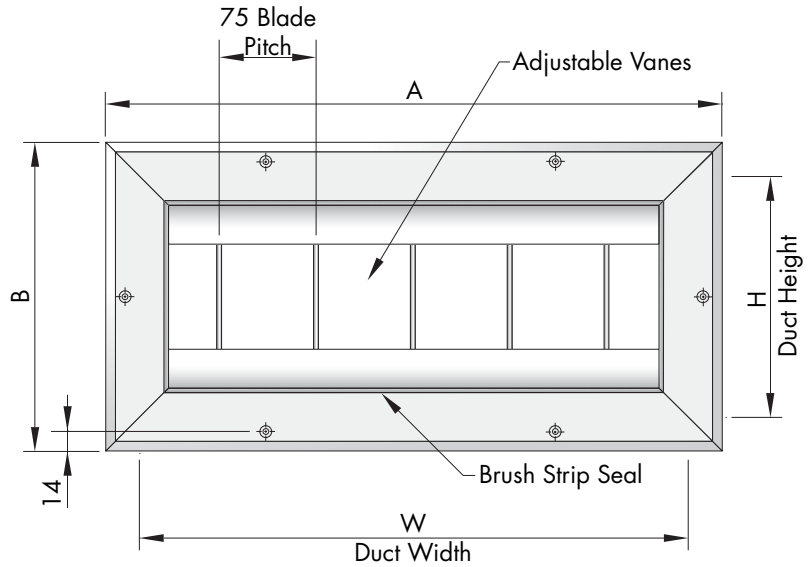
- Fully adjustable drum
- Fully adjustable air pattern
- Suitable for sidewall or exposed duct applications

Finishes

RAL 9010 White
Satin Anodised Aluminium

Advantages

- Long throws
- Low resistant friction on drum
- Ease of adjustment



No	A	B	W	H	C	D	E	Weight
906	300	217	261	170	36	87	146	1.5kg
1206	376	217	337	170	36	87	146	1.7kg
1806	529	217	490	170	36	87	146	2.0kg
2406	681	217	642	170	36	87	146	2.5kg
2010	579	319	540	271	63	138	207	5.5kg
2510	706	319	667	271	63	138	207	6.5kg
3010	833	319	794	271	63	138	207	7.0kg
3510	960	319	921	271	63	138	207	7.5kg

Order Example

WDJ-1806/OBSS

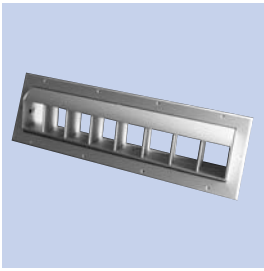
Type _____

Number _____

Damper _____

Drum Jet Diffusers

WDJ



Selection Criteria

Temperature differential - 0°C (Isothermal)
 Terminal velocity - 0.25m/s
 NR level with a room absorption factor of 8dB.

Selection Example WDJ-2406

Air flow rate 400 l/s
 Throw 17.0 m
 Pressure drop 45Pa
 Noise level NR26

Throw Correction Factor

Vane Angle	0°	5°	10°	20°	30°	40°	60°
Factor	1.0	0.9	0.82	0.68	0.6	0.52	0.4

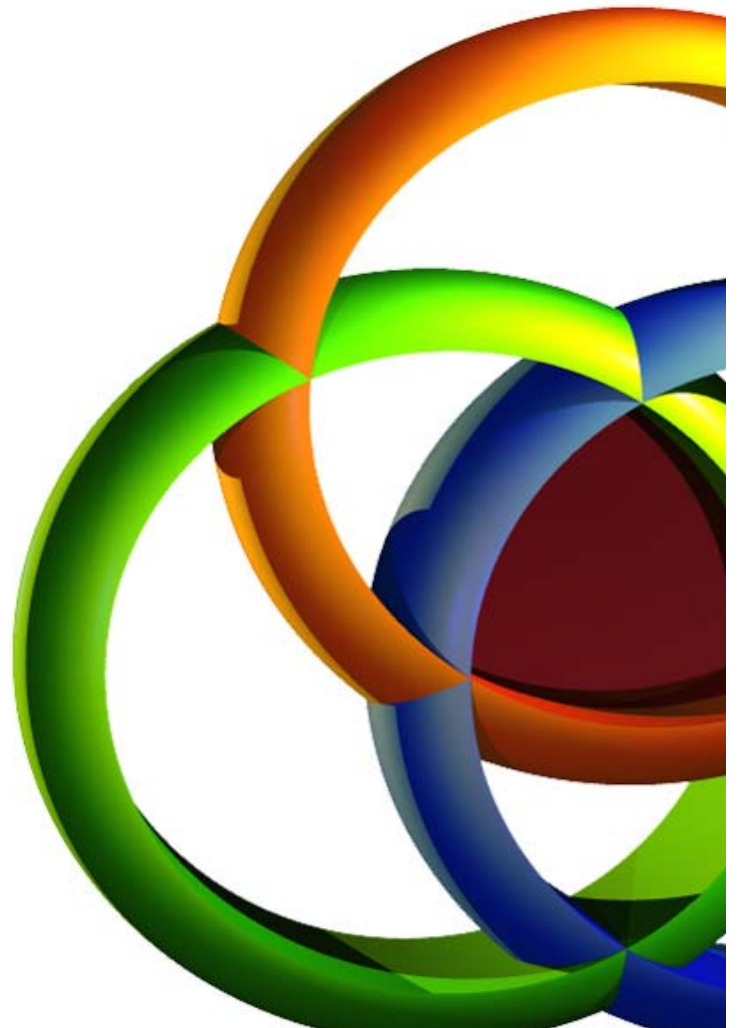
Performance Table

WDJ	Air Volume								
	m ³ /h	360	720	1080	1440	2160	2880	3600	4320
	l/s	100	200	300	400	600	800	1000	1200
906	Jet Throw	3.5	16						
	Pa	20	75						
	NC	13	26						
1206	Jet Throw	2	9.5	22					
	Pa	12	45	100					
	NC		22	32					
1806	Jet Throw		5	15	26				
	Pa		24	48	77				
	NC		16	25	31				
2406	Jet Throw		3.5	9	17	36			
	Pa		10	25	45	98			
	NC		10	18	26	34			
2010	Jet Throw		1.8	4	8	18	34		
	Pa			12	22	50	80		
	NC			14	20	28	35		
2510	Jet Throw			3	5	14	25	37	50
	Pa			10	12	26	50	75	105
	NC			11	15	24	30	35	38
3010	Jet Throw			2.2	4	10	18	28	40
	Pa				10	18	40	50	75
	NC				10	20	27	32	30
3510	Jet Throw				3.2	7.5	15	22	30
	Pa					14	25	40	55
	NC					18	25	30	33

VEN tac

G R O U P

www.ventac.com



Fitzwilliam House, Blessington, Co. Wicklow, Ireland

t: 045 851500

f: 045 851501

e: sales@ventac.com

VEN tac
air management

VEN tac
noise control

VEN tac
laboratories